



# ROBOT·MODULARIZATION·SMART FACTORY

■ 602

## PRODUCT INSTRUCTION

Light weight robot, small in shape and light in weight makes it suitable for assembling, small unit robots which can complete all kinds of work such as loading/unloading/sorting/assembly at high speed and high precision. At the same time, all the robot cables are built in and can be operated flexibly in a small space. The installation mode can be installed on the ground, mounted or inverted.

Features: Wrist rated load: 1.5Kg. Maximum negative carrier: 2Kg. Maximum working radius: 540mm.

### Features :

- Light weight
- Fast running speed
- Beautiful
- High precision of repeated positioning
- Built-in cable

### Application:

Material handling:

1. Greater flexibility. more stable performance and lower energy consumption;
2. Maximum throughput with high speed;
3. Long working and running time;
4. Save ground space;

Assembly:

1. High speed and high repeatable positioning accuracy;
2. Saving ground space;
3. Long working and running time;

Polishing:

1. High level of protection;
2. High wrist torque.



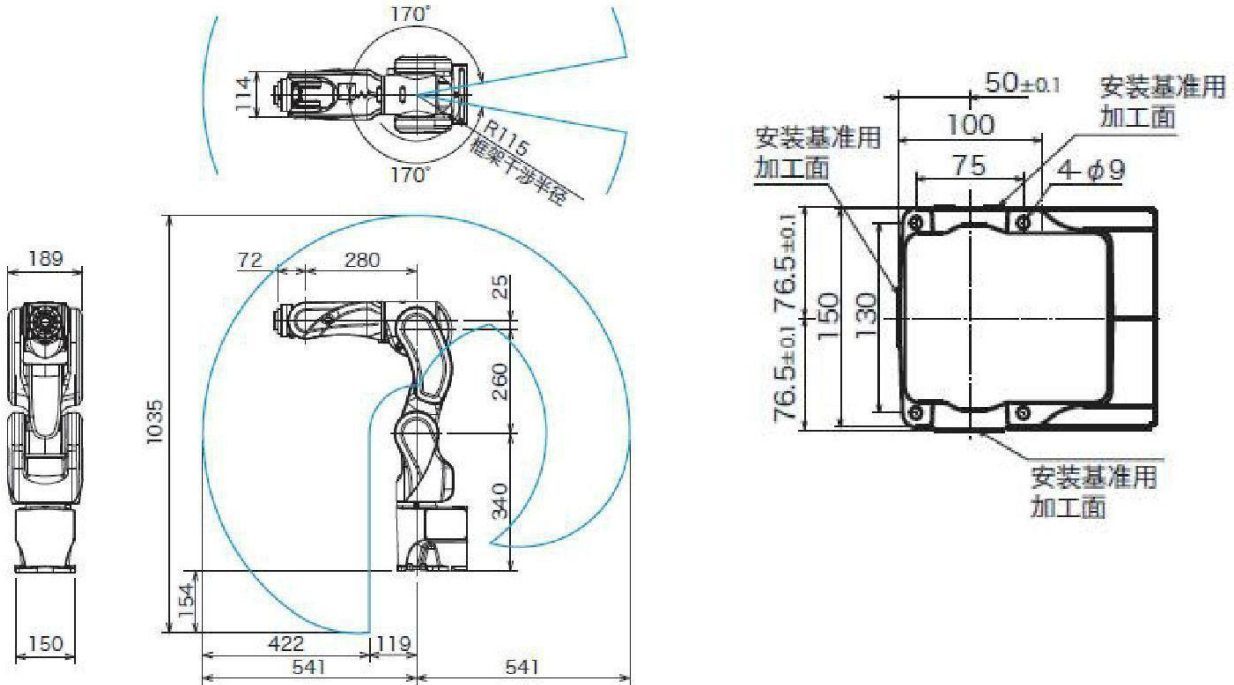
\*This product has standard parts. Above item is high-strength aluminum alloy castings, can also be customized aluminum-magnesium alloy castings.



ROBOT  
ANNO

# ROBOT·MODULARIZATION·SMART FACTORY

## WORKING SPACE



## SPECIFICATION

Model		602
Wrist load		Rated 1.5 kg
		Max 2 kg
Maximum working radius		540mm
DOF		6
Joint speed	J1	370°/s
	J2	370°/s
	J3	430°/s
	J4	300°/s
	J5	460°/s
	J6	600°/s
Joint range	J1	±170°
	J2	±110°
	J3	" +40°/- 220°
	J4	±185°
	J5	±125°
	J6	±360°
Maximum torque allowed in an instant	J5	35Nm
	J6	24Nm
Weight		28kg
Repeated positioning accuracy		±0.05mm
Operating temperature		0-40°C